

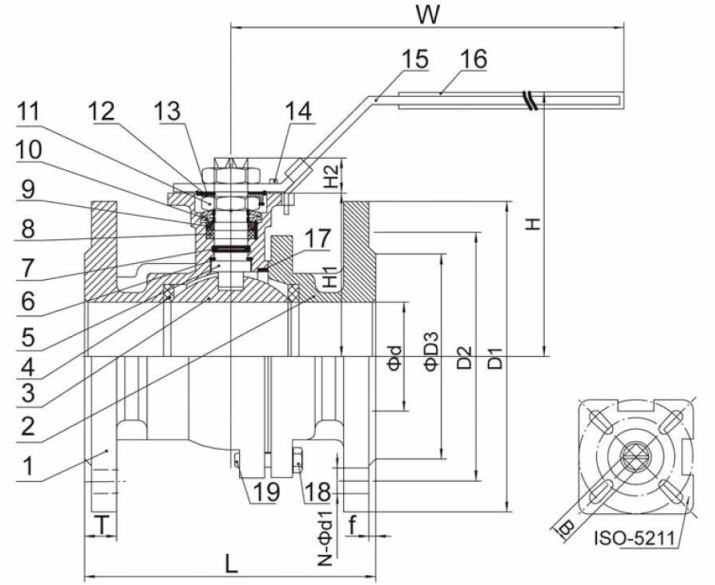
2P FLANŞLI PASLANMAZ KÜRESEL VANALAR \\ 2P FLANGED SS BALL VALVES

2 Parçalı Flanş Bağlantılı Paslanmaz Gövdeli Küresel Vanalar
2 Pieces Flanged Connection SS Body Ball Valves

Özellikler	Features
PN16-40	
Tam Geçiş	Full Bore
Hassas Döküm	Investment Casting
Sızdırmaz Mil Tasarımı	Blow-out Proof Stem
PED97/23/PE (CE0035) Approved	
Anti Statik Ürün (Opsiyonel)	Anti Static Device (Optional)
Dizayn Standartı EN12516	Design Confirm to EN12516
Dizayn Standartı EN12516	Design Confirm to EN12516
Bağlantı DIN2501	Connection DIN2501
Muayene Test Stand. DIN3230/3, EN12266	Inspection Testing DIN3230/3, EN12266



No	Parça	Designation	Adet Qty	Malzeme Material
1	Gövde	Body	1	304SS / 316SS
2	Gövde	Body	2	304SS / 316SS
3	Küre	Ball	1	304SS / 316SS
4	Küre Sızdırmazlık	Ball Seat	2	R-PTFE
5	Mil	Stem	1	304SS / 316SS
6	Baskı Pulu	Thrust Washer	1	PTFE
7	Yaylı Rondela	Spring Washer	4	304SS
8	Somun	Bolt Nut	4	304SS
9	Mil Burcu	Stem Packing	1	PTFE
10	Pul	Ring	1	304SS
11	Yaylı Rondela	Belleville Washer	2	301SS
12	Kilit Pulu	Lock Washer	1	304SS
13	Durdurma Pimi	Stop Pin	1	304SS
14	Kol Somunu	Handle Nut	2	304SS
15	Kol	Handle Nut	1	304SS
16	Kol Plastiği	Handle Sleeve	1	PVC
17	Tozluk	Washer	1	304SS / 316SS
18	O-ring	O-ring	1	FKM
19	Civata	Bolt Nut	4	304SS



DN	d	B	H	W	L	D3	D2	D1	T	f	d1	N	H1	H2	ISO5211	
1/2"	15	11	80	140	115	45	65	95	16	2	14	4	48	8	F04/03	PN16 PN40
3/4"	20	11	95	140	120	58	75	105	18	2	14	4	53	8	F04/03	
1"	25	14	95	160	125	68	85	115	18	2	14	4	58	11	F05/04	
1-1/4"	32	14	105	160	130	78	100	140	18	2	18	4	71	11	F05/04	
1-1/2"	38	17	114	190	140	88	110	150	18	3	18	4	76	14	F07/05	
2"	50	17	124	190	150	102	125	165	18	3	18	4	85	14	F07/05	PN16
2-1/2"	65	17	148	230	170	122	145	185	18	3	18	8	101	17	F10/07	
3"	76	22	158	230	180	138	160	200	20	3	18	8	111.5	17	F10/07	
4"	100	22	190	320	190	158	180	220	20	3	18	8	141	22	F12/10	

