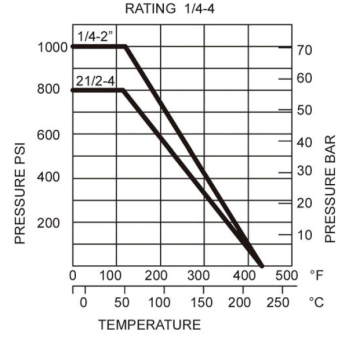
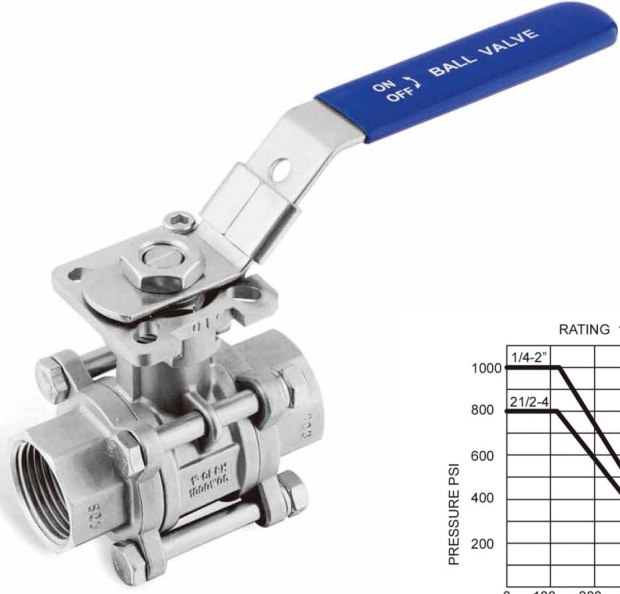
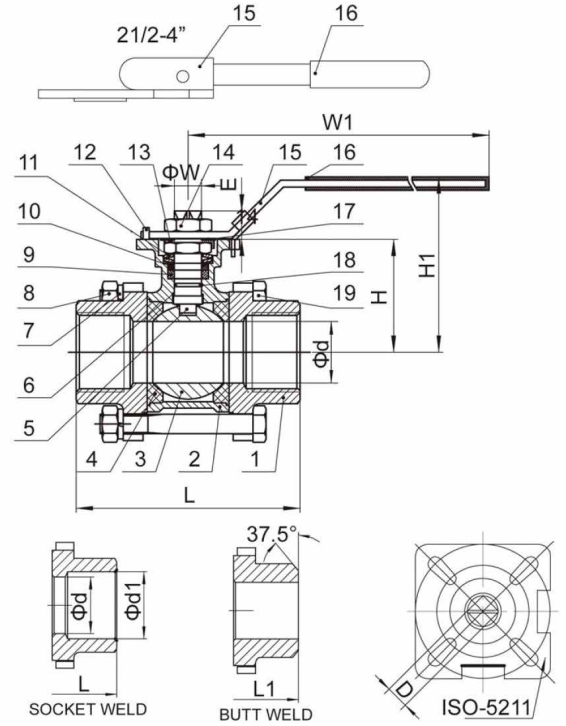


3P DİŞLİ PASLANMAZ KÜRESEL VANALAR \\ 3P SS BALL VALVES

Özellikler	Features
1000PSI/PN63	
Tam Geçiş	Full Bore
Hassas Döküm	Investment Casting
Sızdırmaz Mil Tasarımı	Blow-out Proof Stem
PED97/23/PE (CE0035) Approved	
Döküm Onayı AD2000-W0	Casting Approved AD2000-W0
Anti Statik Ürün (Opsiyonel)	Anti Static Device (Optional)
Uzunluk Standartı DIN3202/4-M3	Length Confirm to DIN3202/4-M3
Dış Standartı ASME B1.20.1 BS21. DIN2999/259 ISO228-1 JIS B0203 ISO7/1	Thread ASME B1.20.1 BS21. DIN2999/259 ISO228-1 JIS B0203 ISO7/1
Muayene Test Stand. API598, EN12266	Inspection Testing API598, EN12266



No	Parça	Designation	Adet Qty	Malzeme Material
1	Gövde	Body	1	304SS / 316SS
2	Gövde	Body	2	304SS / 316SS
3	Küre	Ball	1	304SS / 316SS
4	Küre Sızdırmazlık	Ball Seat	2	R-PTFE
5	Mil	Stem	1	304SS / 316SS
6	Baskı Pulu	Thrust Washer	1	PTFE
7	Yaylı Rondela	Spring Washer	4	304SS
8	Somun	Bolt Nut	4	304SS
9	Mil Burcu	Stem Packing	1	PTFE
10	Pul	Ring	1	304SS
11	Yaylı Rondela	Belleville Washer	2	301SS
12	Kilit Pulu	Lock Washer	1	304SS
13	Durdurma Pimi	Stop Pin	1	304SS
14	Kol Somunu	Handle Nut	2	304SS
15	Kol	Handle Nut	1	304SS
16	Kol Plastiği	Handle Sleeve	1	PVC
17	Tozluk	Washer	1	304SS / 316SS
18	O-ring	O-ring	1	FKM
19	Civata	Bolt Nut	4	304SS



DN	Φd±0.5	Φd1±0.5	L±2	L1±2	H±1	D ₀ ⁰ _{-0.07}	E±1	W ₀ ⁰ _{-0.3}	ISO5211	W1	H1
1/4"	11.6	14.2	55	70	38	9	9	12	F04/03	143	65
3/8"	12.5	17.7	60	70	38	9	9	12	F04/03	143	65
1/2"	15	21.8	75	70	38	9	9	12	F04/03	143	65
3/4"	20	27.2	80	85	47	9	9	12	F04/03	143	76
1"	25	34	90	95	60	11	11	14	F05/04	160	95
1-1/4"	32	42.7	110	110	62.7	11	11	14	F05/04	160	95
1-1/2"	38	48.8	120	120	79	14	14	18	F07/05	187	115
2"	50	61.2	140	142	88	14	14	18	F07/05	187	124
2-1/2"	64	74	185	185	109	17	17	22	F10/07	350	140
3"	76	90	205	205	116	17	17	22	F10/07	350	150
4"	94	115.6	240	240	142	22	22	28	F12/07	350	175

