

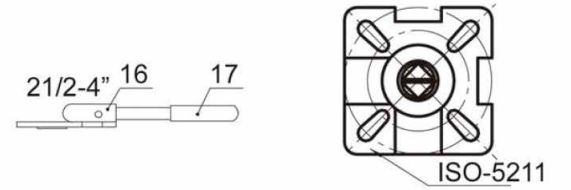
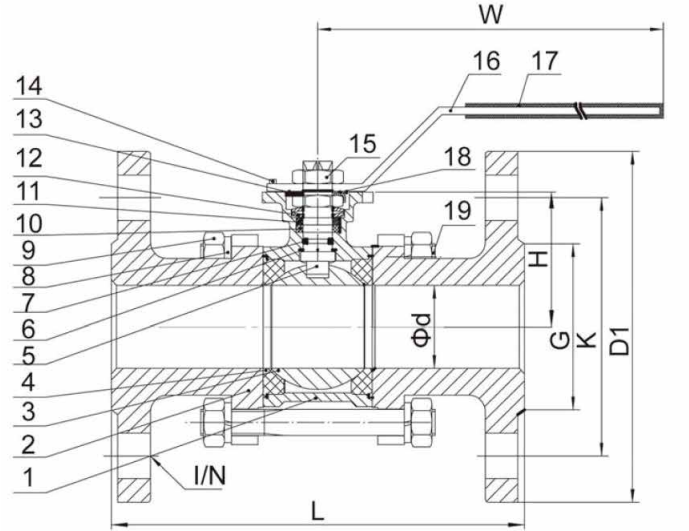
3P FLANŞLI PASLANMAZ KÜRESEL VANALAR \\ 3P FLANGED SS BALL VALVES

3 Parçalı Flanş Bağlantılı Paslanmaz Gövdeli Küresel Vanalar 3 Pieces Flanged Connection SS Body Ball Valves

Özellikler	Features
PN16-40	
Tam Geçiş	Full Bore
Hassas Döküm	Investment Casting
Sızdırmaz Mil Tasarımı	Blow-out Proof Stem
PED97/23/PE (CE0035) Approved	
Anti Statik Ürün (Opsiyonel)	Anti Static Device (Optional)
Dizayn Standartı EN12516	Design Confirm to EN12516
Dizayn Standartı EN12516	Design Confirm to EN12516
Bağlantı DIN2501	Connection DIN2501
Muayene Test Stand. DIN3230/3, EN12266	Inspection Testing DIN3230/3, EN12266



No	Parça	Designation	Adet Qty	Malzeme Material
1	Gövde	Body	1	304SS / 316SS
2	Gövde	Body	2	304SS / 316SS
3	Küre	Ball	1	304SS / 316SS
4	Küre Sızdırmazlık	Ball Seat	2	R-PTFE
5	Mil	Stem	1	304SS / 316SS
6	Baskı Pulu	Thrust Washer	1	PTFE
7	O-ring	O-ring	1	FKM
8	Yaylı Rondela	Spring Washer	4	304SS
9	Somun	Bolt Nut	4	304SS
10	Mil Burcu	Stem Packing	1	PTFE
11	Pul	Ring	1	304SS
12	Yaylı Rondela	Belleville Washer	2	301SS
13	Kilit Pulu	Lock Washer	1	304SS
14	Durdurma Pimi	Stop Pin	1	304SS
15	Kol Somunu	Handle Nut	2	304SS
16	Kol	Handle	1	304SS
17	Kol Plastiği	Handle Sleeve	1	PVC
18	Tozluk	Washer	1	304SS / 316SS
19	Cıvata	Bolt Nut	4	304SS



DN	d	L	H	W	D1	K	G	I/N	ISO5211
1/2"	15	130	40	140	95	65	45	14/4	F04/03
3/4"	20	150	47	140	105	75	58	14/4	F04/03
1"	25	160	57	160	115	85	68	14/4	F05/04
1-1/4"	32	180	62	160	140	100	78	18/4	F05/04
1-1/2"	38	200	77	180	150	110	88	18/4	F07/05
2"	50	230	86	180	165	125	102	18/4	F07/05
2-1/2"	64	290	108	300	185	145	122	18/4	F10/07
3"	76	310	115	300	200	160	138	18/8	F10/07
4"	100	350	133	400	220	180	158	18/8	F12/10
					235	190	162	22/8	

